



Disconnectors for  
**Photovoltaic Applications**



## TABLE OF CONTENTS

Switching program: 1 x 2-pole			
Operating voltage $U_e$	Utilization category	Rated operational current $I_e$	Page
<b>DIN rail mounting</b>			
450 V DC	DC-PV2	18 A / 25 A / 32 A	4
500 V DC	DC-PV2	12 A / 18 A	4
500 V DC	DC-PV2	25 A	5
650 V DC	DC-PV2	18 A / 25 A / 32 A	5
800 V DC	DC-PV2	12 A / 20 A	5
800 V DC	DC-PV2	18 A / 25 A / 32 A	6
650 V DC	DC-PV0	60 A	7
800 V DC	DC-PV0	60 A	8
<b>In enclosure</b>			
450 V DC	DC-PV2	18 A / 25 A / 32 A	9
500 V DC	DC-PV2	12 A / 18 A / 20 A	9
500 V DC	DC-PV2	25 A	10
650 V DC	DC-PV2	18 A / 25 A / 32 A	10
800 V DC	DC-PV2	12 A / 20 A	10
800 V DC	DC-PV2	18 A / 25 A / 32 A	11
600 V DC	DC-PV0	60 A	12
800 V DC	DC-PV0	60 A	12

Switching program: 1 x 2-pole, 2 x 2-pole and 3 x 2-pole			
Operating voltage $U_e$	Utilization category	Rated operational current $I_e$	Page
<b>Fronteinbau</b>			
500 V	DC-PV2	20 A	13
750 V	DC-PV2	20 A	14
1000 V	DC-PV2	20 A	15

UL-approved switches upon request.

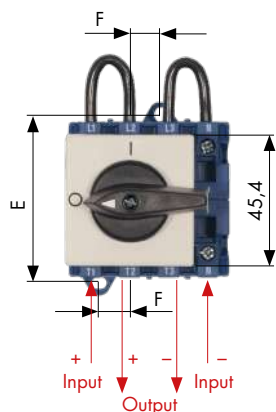
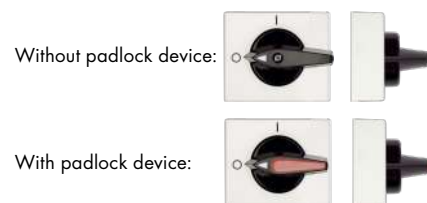
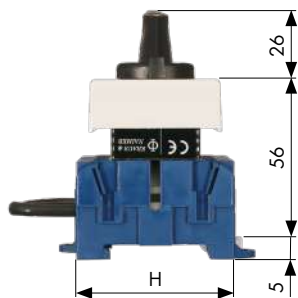
Abbreviations for tables	
$U_e$	Operating voltage
$I_e$	Rated operational current
Max. $U_i$ PV	Max. open-circuit voltage of PV generators $U_{OC,STC}$
$U_i$	Insulation voltage

**450 V DC : 18 A / 25 A / 32 A**  
**500 V DC : 12 A / 18 A**

**1 x 2-pole**

**Switching program: 2-pole, 4 contacts per circuit (2 x 2 in series)**

DC-side disconnectors for photovoltaic power supply systems in accordance with IEC 60364-712:2002



	KG20A / KG32A	KG41
A	43,7	52,4
E	60	70
F	11	12,5
G1	55,5	66
G2	21	25
H	54	64

Wiring diagram	Twist torque for clamping screws	Stripped length
	1,25 Nm	
	1,80 Nm	

**General Data**

Switch disconnectors in accordance with EN 60947-3, VDE 0660 part 107

Utilization category for photovoltaic applications: **DC-PV2** Connecting and disconnecting a PV circuit, where severe overcurrent may occur and where the current can flow in both directions

**DC-21B** Switching of resistive loads, including moderate overloads

Ambient temperature (open): 50 °C over 24 hours with peaks of up to 55 °C

Finger-safe terminals in accordance with VDE 0660-514 and BGV A3, protection class IP 20

Maximum conductor cross section (use only copper conductors)

single wire or stranded wire KG20A/KG32A: 6 mm<sup>2</sup> KG41: 16 mm<sup>2</sup>  
 flexible wire without / with wire-end ferrules (according to DIN 46228) KG20A/KG32A: 4 mm<sup>2</sup> KG41: 10 mm<sup>2</sup>

**Mounting**

DIN rail mounting with screw and quick mounting in accordance with EN 60715

Faceplate for 45 mm standard cutout, F-handle grey, with interlock

Name without padlock device	Art. No.	Name with padlock device	Art. No.	U <sub>e</sub>	I <sub>e</sub> DC-PV2	I <sub>e</sub> DC-21B	Max. U <sub>L</sub> PV	U <sub>i</sub> *
	70040660		70046559	450 V DC	18 A	25 A	540 V DC	690 V
	70040661		70046560	450 V DC	25 A	25 A	540 V DC	690 V
	70040662		70046561	450 V DC	32 A	40 A	540 V DC	690 V
	70040660		70046559	500 V DC	12 A	21 A	600 V DC	690 V
	70040661		70046560	500 V DC	18 A	21 A	600 V DC	690 V
	70040662		70046561	450 V DC	32 A	40 A	600 V DC	690 V

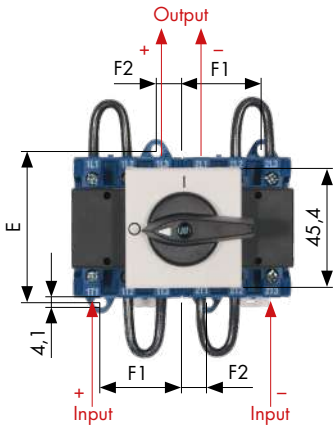
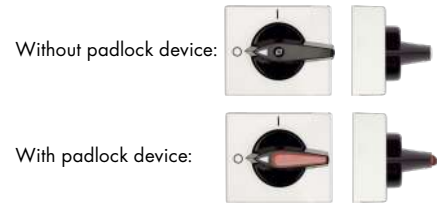
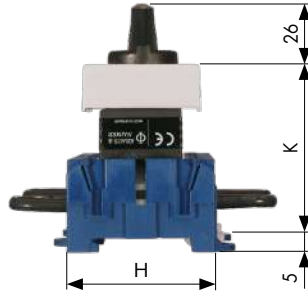
Data valid only if the pre-assembled bridges have not been modified.  
 \* Valid for ungrounded / midpoint-grounded PV grids, overvoltage category III, pollution degree III

**500 V DC : 25 A**  
**650 V DC : 18 A / 25 A / 32 A**  
**800 V DC : 12 A / 20 A**

**1 x 2-pole**

**Switching program: 2-pole, 6 contacts per circuit (2 x 3 in series)**

DC-side disconnectors for photovoltaic power supply systems in accordance with IEC 60364-712:2002



	KG20A / KG32A	KG41B
A	43,7	105,4
E	60	70
F1	32	37,5
F2	10	12,5
G	84	100
H	54	64
K	64	62,5

Wiring diagram	Twist torque for clamping screws	Stripped length
	KG20A / KG32A 1,25 Nm	KG20A / KG32A 9
	KG41B 1,80 Nm	KG41B 10

### General Data

Switch disconnectors in accordance with EN 60947-3, VDE 0660 part 107

Utilization category for photovoltaic applications: **DC-PV2** Connecting and disconnecting a PV circuit, where severe overcurrent may occur and where the current can flow in both directions

**DC-21B** Switching of resistive loads, including moderate overloads

Ambient temperature (open): 50 °C over 24 hours with peaks of up to 55 °C

Finger-safe terminals in accordance with VDE 0660-514 and BGV A3, protection class IP 20

Maximum conductor cross section (use only copper conductors)

single wire or stranded wire

KG20A / KG32A: 6 mm<sup>2</sup> KG41B: 16 mm<sup>2</sup>

flexible wire without / with wire-end ferrules (according to DIN 46228)

KG20A / KG32A: 4 mm<sup>2</sup> KG41B: 10 mm<sup>2</sup>

### Mounting

DIN rail mounting with screw and quick mounting in accordance with EN 60715

Faceplate for 45 mm standard cutout, F-handle grey, with interlock

Name without padlock device	Art. No.	Name with padlock device	Art. No.	U <sub>e</sub>	I <sub>e</sub> DC-PV2	I <sub>e</sub> DC-21B	Max. U <sub>l</sub> PV	U <sub>i</sub> *
<i>KG20A.T306/P1.VE2</i>	70040663	<i>KG20A.T106/P5.VE2</i>	70046562	650 V DC	18 A	25 A	780 V DC	1000 V
<i>KG32A.T306/P1.VE2</i>	70040664	<i>KG32A.T106/P5.VE2</i>	70046563	500 V DC	25 A	25 A	600 V DC	1000 V
<i>KG41B.T306/P1.VE2</i>	70040665	<i>KG41B.T106/P5.VE2</i>	70048006	650 V DC	32 A	40 A	780 V DC	1000 V
<i>KG20A.T306/P1.VE2</i>	70040663	<i>KG20A.T106/P5.VE2</i>	70046562	800 V DC	12 A	21 A	1000 V DC	1000 V
<i>KG32A.T306/P1.VE2</i>	70040664	<i>KG32A.T106/P5.VE2</i>	70046563	650 V DC	25 A	25 A	780 V DC	1000 V
<i>KG41B.T306/P1.VE2</i>	70040665	<i>KG41B.T106/P5.VE2</i>	70048006	800 V DC	20 A	28 A	1000 V DC	1000 V

Data valid only if the pre-assembled bridges have not been modified.

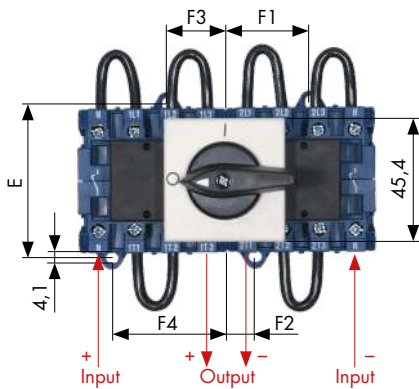
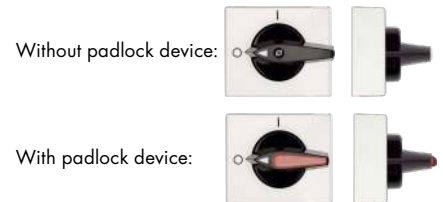
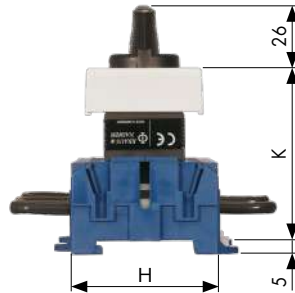
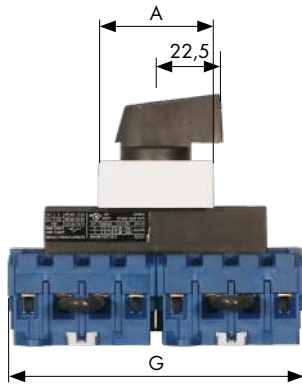
\* Valid for ungrounded or midpoint-grounded PV grids, overvoltage category III, pollution degree III

800 V DC : 18 A / 25 A / 32 A

1 x 2-pole

Switching program: 2-pole, 8 contacts per circuit (2 x 4 in series)

DC-side disconnectors for photovoltaic power supply systems in accordance with IEC 60364-712:2002



	KG20A KG32A	KG41B
A	43,7	105,4
E	60	70
F1	32	37,5
F2	10	12,5
F3	23,5	28,5
F4	45,5	53,5
G	111	132
H	54	64
K	64	62,5

Wiring diagram	Twist torque for clamping screws	Stripped length
	1,25 Nm	KG20A/ KG32A 9
	1,80 Nm	KG41B 10

General Data

Switch disconnectors in accordance with EN 60947-3, VDE 0660 part 107

Utilization category for photovoltaic applications: **DC-PV2** Connecting and disconnecting a PV circuit, where severe overcurrent may occur and where the current can flow in both directions

**DC-21B** Switching of resistive loads, including moderate overloads

Ambient temperature (open): 50 °C over 24 hours with peaks of up to 55 °C

Finger-safe terminals in accordance with VDE 0660-514 and BGV A3, protection class IP 20

Maximum conductor cross section (use only copper conductors)

single wire or stranded wire KG20A/KG32A: 6 mm<sup>2</sup> KG41: 16 mm<sup>2</sup>  
flexible wire without / with wire-end ferrules (according to DIN 46228) KG20A/KG32A: 4 mm<sup>2</sup> KG41: 10 mm<sup>2</sup>

Mounting

DIN rail mounting with screw and quick mounting in accordance with EN 60715

Faceplate for 45 mm standard cutout, F-handle grey, with interlock

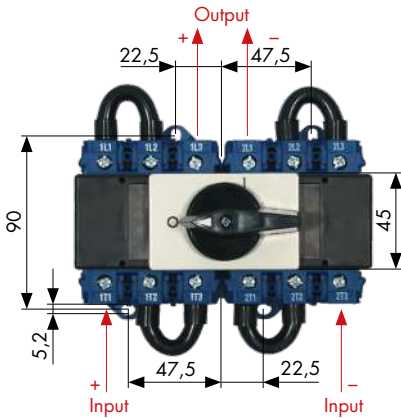
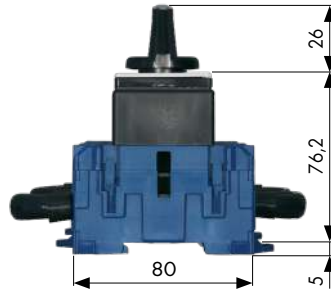
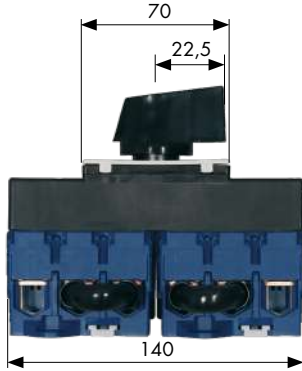
Name without padlock device	Art. No.	Name with padlock device	Art. No.	U <sub>e</sub>	I <sub>e</sub> DC-PV2	I <sub>e</sub> DC-21B	Max. U <sub>l</sub> PV	U <sub>i</sub> *
KG20A.T308/P1.VE2	70040666	KG20A.T108/P5.VE2	70046565	800 V DC	18 A	25 A	1000 V DC	1000 V
KG32A.T308/P1.VE2	70040667	KG32A.T108/P5.VE2	70046566	800 V DC	25 A	25 A	1000 V DC	1000 V
KG41B.T308/P1.VE2	70040668	KG41B.T108/P5.VE2	70048007	800 V DC	32 A	40 A	1000 V DC	1000 V

Data valid only if the pre-assembled bridges have not been modified.

\* Valid for ungrounded or midpoint-grounded PV grids, overvoltage category III, pollution degree III

Switching program: 2-pole, 6 contacts per circuit (2 x 3 in series)

DC-side disconnectors for photovoltaic power supply systems in accordance with IEC 60364-712:2002



Wiring diagram	Twist torque for clamping screws	Stripped length
	KG80 3,00 Nm	KG80 14

**General Data**

Switch disconnectors in accordance with EN 60947-3, VDE 0660 part 107

Utilization category for photovoltaic applications: **DC-PV0** Opening and closing a PV circuit to disconnect when no current is flowing  
**DC-21B** Switching of resistive loads, including moderate overloads

Ambient temperature (open): 50 °C over 24 hours with peaks of up to 55 °C

Finger-safe terminals in accordance with VDE 0660-514 and BGV A3

Maximum conductor cross section (use only copper conductors)

single wire or stranded wire 50 mm<sup>2</sup>  
flexible wire without / with wire-end ferrules (according to DIN 46228) 35 mm<sup>2</sup>

**Mounting**

DIN rail mounting with screw and quick mounting in accordance with EN 60715

Faceplate for 45 mm standard cutout, F-handle grey, with interlock

Name	Art. No.	U <sub>e</sub>	I <sub>e</sub> DC-PV0	I <sub>e</sub> DC-21B	Max. U <sub>i</sub> PV	U <sub>i</sub> *
KG80.T306/P1.VE2	70040669	630 V DC	60 A	60 A	750 V DC	1000 V

Data valid only if the pre-assembled bridges have not been modified.

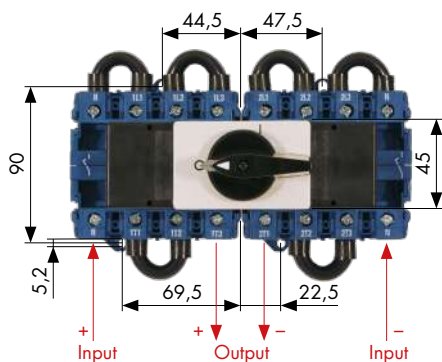
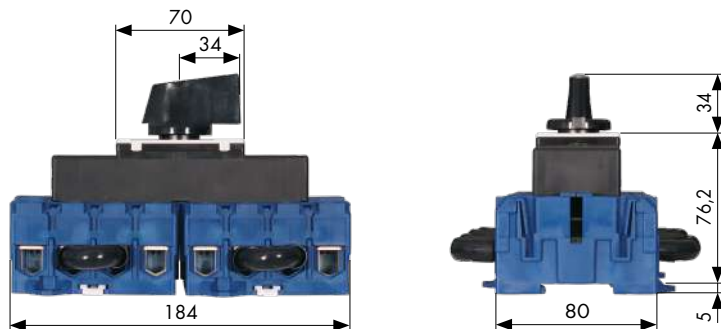
\* Valid for ungrounded or midpoint-grounded PV grids, overvoltage category III, pollution degree III

## 800 V DC : 60 A

1 x 2-pole

Switching program: 2-pole, 8 contacts per circuit (2 x 4 in series)

DC-side disconnectors for photovoltaic power supply systems in accordance with IEC 60364-712:2002



Wiring diagram	Twist torque for clamping screws	Stripped length
	KG80 3,00 Nm	KG80 14

## General Data

Switch disconnectors in accordance with EN 60947-3, VDE 0660 part 107

Utilization category for photovoltaic applications: DC-PV0 Opening and closing a PV circuit to disconnect when no current is flowing

DC-21B Switching of resistive loads, including moderate overloads

Ambient temperature (open): 50 °C over 24 hours with peaks of up to 55 °C

Finger-safe terminals in accordance with VDE 0660-514 and BGV A3

Maximum conductor cross section (use only copper conductors)

single wire or stranded wire 50 mm<sup>2</sup>flexible wire without / with wire-end ferrules (according to DIN 46228) 35 mm<sup>2</sup>

## Mounting

DIN rail mounting with screw and quick mounting in accordance with EN 60715

Faceplate for 45 mm standard cutout, F-handle black

Name	Art. No.	U <sub>e</sub>	I <sub>e</sub> DC-PV0	I <sub>e</sub> DC-21B	Max. U <sub>i</sub> PV	U <sub>i</sub> *
 KG80.T308/PI.VE2	70040670	800 V DC	60 A	60 A	1000 V DC	1000 V

Data valid only if the pre-assembled bridges have not been modified.

\* Valid for ungrounded or midpoint-grounded PV grids, overvoltage category III, pollution degree III

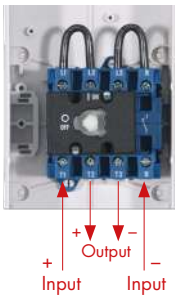
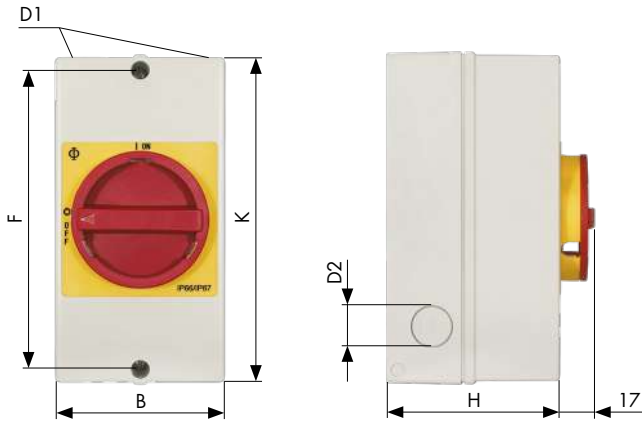


**450 V DC : 18 A / 25 A / 32 A**  
**500 V DC : 12 A / 18 A / 20 A**

**1 x 2-pole**

**Switching program: 2-pole, 4 contacts per circuit (2 x 2 in series)**

DC-side disconnectors for photovoltaic power supply systems in accordance with IEC 60364-712:2002



	KG20 KG32	KG41
B	85	100
D1	2 x Ø 25	2 x Ø 25
D2	Ø 20	Ø 25
F	150	178
H	82	93
K	160	190

Wiring diagram	Twist torque for clamping screws	Stripped length
	KG20/ KG32 1,25 Nm	KG20/ KG32 9
	KG41 1,80 Nm	KG41 10

### General Data

Switch disconnectors in accordance with EN 60947-3, VDE 0660 part 107

Utilization category for photovoltaic applications: **DC-PV2** Connecting and disconnecting a PV circuit, where severe overcurrent may occur and where the current can flow in both directions

**DC-21B** Switching of resistive loads, including moderate overloads

Ambient temperature (enclosed): 50 °C over 24 hours with peaks of up to 55 °C

Finger-safe terminals in accordance with VDE 0660-514 and BGV A3, protection class IP 20

Maximum conductor cross section (use only copper conductors)

single wire or stranded wire KG20/KG32: 6 mm<sup>2</sup> KG41: 16 mm<sup>2</sup>  
flexible wire without / with wire-end ferrules (according to DIN 46228) KG20/KG32: 4 mm<sup>2</sup> KG41: 10 mm<sup>2</sup>

### Mounting

Plastic enclosure, protection class IP 66 / 67, fully insulated, knock-out entries

Handle red, in OFF-position lockable with padlocks, front plate background yellow, cover coupling with interlock

Name	Art. No.	Name	Art. No.	U <sub>e</sub>	I <sub>e</sub> DC-PV2		I <sub>e</sub> DC-21B		Max. U <sub>i</sub> PV	U <sub>i</sub> *
					50°C <sup>1</sup>	60°C <sup>2</sup>	50°C <sup>1</sup>	60°C <sup>2</sup>		
KG20.T204/P3.KL51V	70040671	KG20.T104/P3.KL51V	70046567	450 V DC	18 A	18 A	25 A	25 A	540 V DC	690 V
KG32.T204/P3.KL51V	70040672	KG32.T104/P3.KL51V	70046568	450 V DC	25 A	23 A	25 A	23 A	540 V DC	690 V
KG41.T204/P3.KL11V	70040673	KG41.T104/P3.KL11V	70046569	450 V DC	32 A	32 A	40 A	40 A	540 V DC	690 V
KG20.T204/P3.KL51V	70040671	KG20.T104/P3.KL51V	70046567	500 V DC	12 A	12 A	21 A	21 A	600 V DC	690 V
KG32.T204/P3.KL51V	70040672	KG32.T104/P3.KL51V	70046568	500 V DC	18 A	18 A	21 A	21 A	600 V DC	690 V
KG41.T204/P3.KL11V	70040673	KG41.T104/P3.KL11V	70046569	500 V DC	20 A	20 A	28 A	28 A	600 V DC	690 V

<sup>1</sup> enclosed up to 50 °C over 24 hours with peaks of up to 55 °C | <sup>2</sup> enclosed up to 60 °C over 24 hours with peaks of up to 65 °C

Data valid only if the pre-assembled bridges have not been modified.

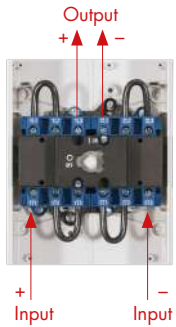
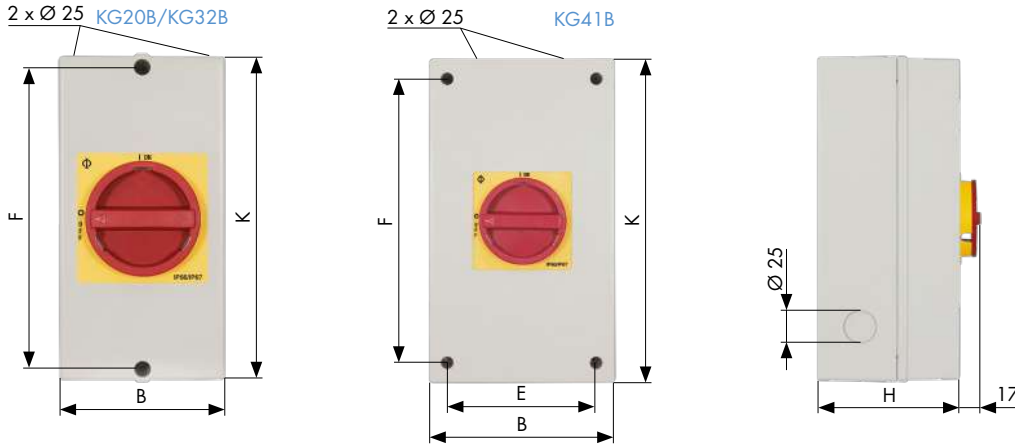
\* Valid for ungrounded or midpoint-grounded PV grids, overvoltage category III, pollution degree III

**500 V DC : 25 A**  
**650 V DC : 18 A / 25 A / 32 A**  
**800 V DC : 12 A / 20 A**

**1 x 2-pole**

**Switching program: 2-pole, 6 contacts per circuit (2 x 3 in series)**

DC-side disconnectors for photovoltaic power supply systems in accordance with IEC 60364-712:2002



	KG20B KG32B	KG41B
B	100	145
E	—	124
F	178	229
H	93	107
K	190	250

Wiring diagram	Twist torque for clamping screws	Stripped length
	KG20B/ KG32B 1,25 Nm	KG20B/ KG32B 9
	KG41B 1,80 Nm	KG41B 10

**General Data**

Switch disconnectors in accordance with EN 60947-3, VDE 0660 part 107

Utilization category for photovoltaic applications: **DC-PV2** Connecting and disconnecting a PV circuit, where severe overcurrent may occur and where the current can flow in both directions

**DC-21B** Switching of resistive loads, including moderate overloads

Ambient temperature (enclosed): 50 °C over 24 hours with peaks of up to 55 °C (KG32B from 26 A: 35 °C over 24 hours with peaks of up to 40 °C)

Finger-safe terminals in accordance with VDE 0660-514 and BGV A3, protection class IP 20

Maximum conductor cross section (use only copper conductors)

single wire or stranded wire KG20B/KG32B: 6 mm<sup>2</sup> KG41B: 16 mm<sup>2</sup>  
 flexible wire without / with wire-end ferrules (according to DIN 46228) KG20B/KG32B: 4 mm<sup>2</sup> KG41B: 10 mm<sup>2</sup>

**Mounting**

Plastic enclosure, protection class IP 66 / 67, fully insulated, knock-out entries

Handle red, in OFF-position lockable with padlocks, front plate background yellow, cover coupling with interlock

Name	Art. No.	Name	Art. No.	U <sub>e</sub>	I <sub>e</sub> DC-PV2		I <sub>e</sub> DC-21B		Max. U <sub>i</sub> PV	U <sub>i</sub> *
					50°C <sup>1</sup>	60°C <sup>2</sup>	50°C <sup>1</sup>	60°C <sup>2</sup>		
KG20B.T206/P3.KL11V	70040674	KG20B.T106/P3.KL11V	70046570	650 V DC	18 A	18 A	25 A	22 A	780 V DC	1000 V
KG32B.T206/P3.KL11V	70040675	KG32B.T106/P3.KL11V	70046572	500 V DC	25 A	22 A	25 A	22 A	600 V DC	1000 V
KG41B.T206/P3.KL11V	70040676	KG41B.T106/P3.KL11V	70046573	650 V DC	32 A	32 A	40 A	40 A	780 V DC	1000 V
KG20B.T206/P3.KL11V	70040674	KG20B.T106/P3.KL11V	70046570	800 V DC	12 A	12 A	21 A	21 A	1000 V DC	1000 V
KG32B.T206/P3.KL11V	70040675	KG32B.T106/P3.KL11V	70046572	650 V DC	25 A	22 A	25 A	22 A	780 V DC	1000 V
KG41B.T206/P3.KL11V	70040676	KG41B.T106/P3.KL11V	70046573	800 V DC	20 A	20 A	28 A	28 A	1000 V DC	1000 V

<sup>1</sup> enclosed up to 50 °C over 24 hours with peaks of up to 55 °C | <sup>2</sup> enclosed up to 60 °C over 24 hours with peaks of up to 65 °C

Data valid only if the pre-assembled bridges have not been modified.

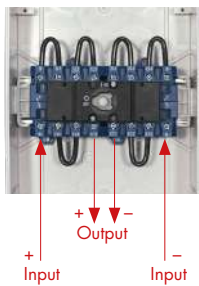
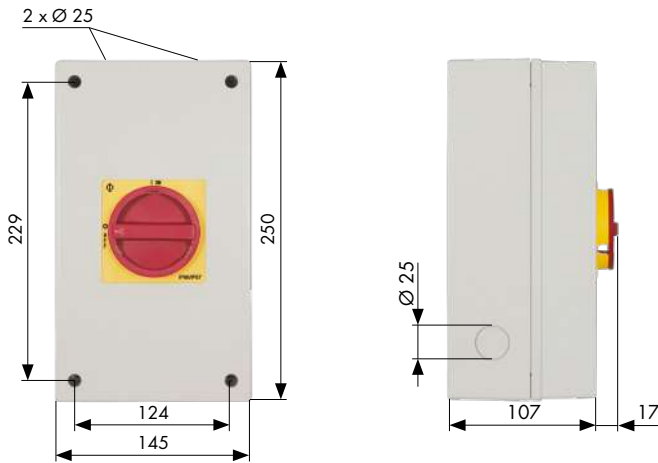
\* Valid for ungrounded or midpoint-grounded PV grids, overvoltage category III, pollution degree III

# 800 V DC : 18 A / 25 A / 32 A

1 x 2-pole

Switching program: 2-pole, 8 contacts per circuit (2 x 4 in series)

DC-side disconnectors for photovoltaic power supply systems in accordance with IEC 60364-712:2002



Wiring diagram	Twist torque for clamping screws	Stripped length
	KG20B/ KG32B 1,25 Nm	KG20B/ KG32B 9
	KG41B 1,80 Nm	KG41B 10

## General Data

Switch disconnectors in accordance with EN 60947-3, VDE 0660 part 107

Utilization category for photovoltaic applications: **DC-PV2** Connecting and disconnecting a PV circuit, where severe overcurrent may occur and where the current can flow in both directions

**DC-21B** Switching of resistive loads, including moderate overloads

Ambient temperature (enclosed): 50 °C over 24 hours with peaks of up to 55 °C

Finger-safe terminals in accordance with VDE 0660-514 and BGV A3, protection class IP 20

Maximum conductor cross section (use only copper conductors)

single wire or stranded wire	KG20B/KG32B: 6 mm <sup>2</sup>	KG41B: 16 mm <sup>2</sup>
flexible wire without / with wire-end ferrules (according to DIN 46228)	KG20B/KG32B: 4 mm <sup>2</sup>	KG41B: 10 mm <sup>2</sup>

## Mounting

Plastic enclosure, protection class IP 66 / 67, fully insulated, knock-out entries

Handle red, in OFF-position lockable with padlocks, front plate background yellow, cover coupling with interlock

Name	Art. No.	Name	Art. No.	U <sub>e</sub>	I <sub>e</sub> DC-PV2		I <sub>e</sub> DC-21B		Max. U <sub>i</sub> PV	U <sub>i</sub> *
					50°C <sup>1</sup>	60°C <sup>2</sup>	50°C <sup>1</sup>	60°C <sup>2</sup>		
KG20B.T208/P3.KL11V	70040678	KG20B.T108/P3.KL11V	70046574	800 V DC	18 A	18 A	25 A	20 A	1000 V DC	1000 V
KG32B.T208/P3.KL11V	70040679	KG32B.T108/P3.KL11V	70046575	800 V DC	25 A	20 A	25 A	20 A	1000 V DC	1000 V
KG41B.T208/P3.KL11V	70040680	KG41B.T108/P3.KL11V	70046576	800 V DC	32 A	32 A	40 A	35 A	1000 V DC	1000 V

<sup>1</sup> enclosed up to 50 °C over 24 hours with peaks of up to 55 °C | <sup>2</sup> enclosed up to 60 °C over 24 hours with peaks of up to 65 °C

Data valid only if the pre-assembled bridges have not been modified.

\* Valid for ungrounded or midpoint-grounded PV grids, overvoltage category III, pollution degree III

600 V DC : 60 A  
800 V DC : 60 A

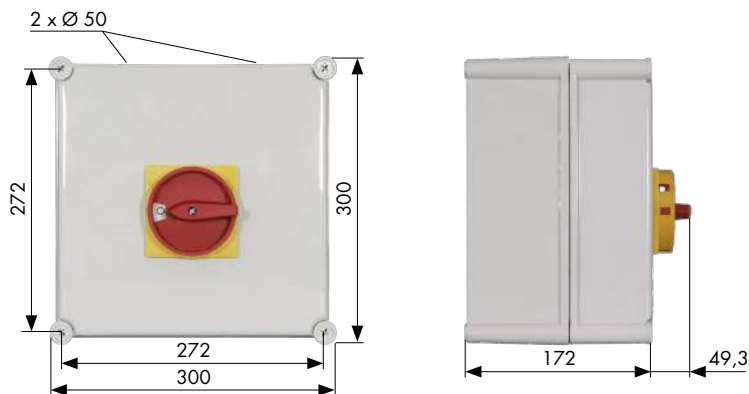
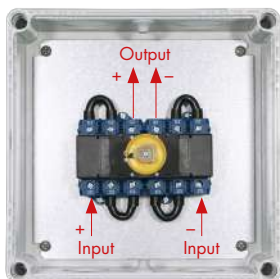
1 x 2-pole

Switching program: 2-pole, 6 contacts per circuit (2 x 3 in series), 8 contacts per circuit (2 x 4 in series)

DC-side disconnectors for photovoltaic power supply systems in accordance with IEC 60364-712:2002

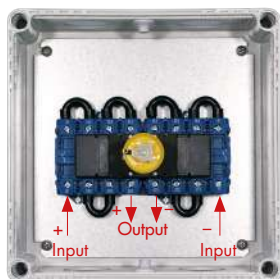
Switching program: 2-pole  
6 contacts per circuit (2 x 3 in series)

650 V DC



Switching program: 2-pole  
8 contacts per circuit (2 x 4 in series)

800 V DC



Wiring diagram 650 V DC	Wiring diagram 800 V DC	Twist torque for clamping screws	Stripped length
		KG80C 3,00 Nm	

General Data

Switch disconnectors in accordance with EN 60947-3, VDE 0660 part 107

Utilization category for photovoltaic applications: DC-PV0 Opening and closing a PV circuit to disconnect when no current is flowing

DC-21B Switching of resistive loads, including moderate overloads

Ambient temperature (enclosed): 50 °C over 24 hours with peaks of up to 55 °C

Finger-safe terminals in accordance with VDE 0660-514 and BGV A3

Maximum conductor cross section (use only copper conductors)

single wire or stranded wire 50 mm<sup>2</sup>  
flexible wire without / with wire-end ferrules (according to DIN 46228) 35 mm<sup>2</sup>

Mounting

Plastic enclosure, protection class IP 66 / 67, fully insulated, knock-out entries

Handle red, in OFF-position lockable with padlocks, front plate background yellow, cover coupling with interlock

Name 	Art. No.	Name 	Art. No.	U <sub>e</sub>	I <sub>e</sub> DC-PV0		I <sub>e</sub> DC-21B		Max. U <sub>i</sub> PV	U <sub>i</sub> *
					50°C <sup>1</sup>	60°C <sup>2</sup>	50°C <sup>1</sup>	60°C <sup>2</sup>		
KG80C.T206/P3.STM	70040683	KG80C.T106/P3.STM	70046577	650 V DC	60 A	60 A	60 A	60 A	750 V DC	1000 V
KG80C.T208/P3.STM	70040684	KG80C.T108/P3.STM	70046578	800 V DC	60 A	55 A	60 A	55 A	1000 V DC	1000 V

<sup>1</sup> enclosed up to 50 °C over 24 hours with peaks of up to 55 °C | <sup>2</sup> enclosed up to 60 °C over 24 hours with peaks of up to 65 °C

Data valid only if the pre-assembled bridges have not been modified.

\* Valid for ungrounded or midpoint-grounded PV grids, overvoltage category III, pollution degree III

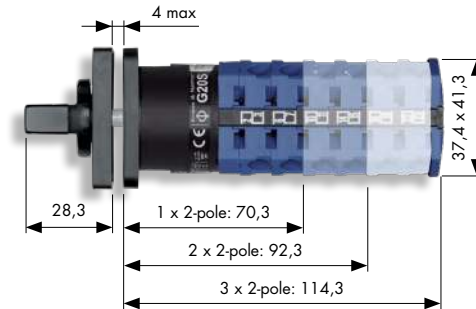
# 500 V DC : 20 A

# 1 x 2-pole, 2 x 2-pole, 3 x 2-pole

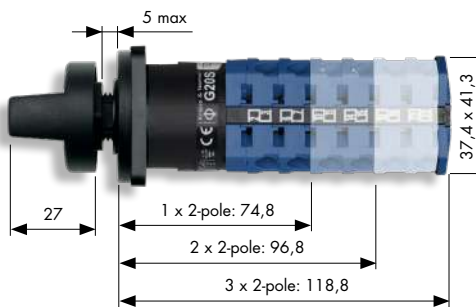
Switching program: 1 x 2-pole, 2 x 2-pole and 3 x 2-pole

DC-side disconnectors for photovoltaic power supply systems in accordance with IEC 60364-712:2002

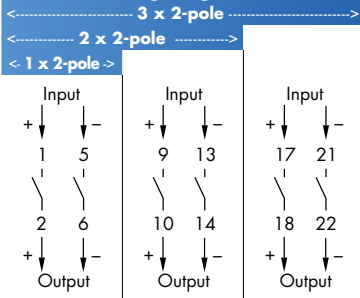
4-hole mounting



16 mm single-hole mounting



### Wiring diagram



Hole pattern		Twist torque for clamping screws
4-hole	16 mm	
		G20S 0,6 Nm
		Stripped length
		G20S

### General Data

Switch disconnectors in accordance with EN 60947-3, VDE 0660 part 107

Utilization category for photovoltaic applications: **DC-PV2** Connecting and disconnecting a PV circuit, where severe overcurrent may occur and where the current can flow in both directions

Ambient temperature (open): 55 °C over 24 hours with peaks of up to 65 °C over 8 hours

Finger-safe terminals in accordance with VDE 0660-514 and BGV A3, protection class IP 20

Maximum conductor cross section (use only copper conductors)

single wire or stranded wire 2 x 2,5 mm<sup>2</sup>  
flexible wire without / with wire-end ferrules (according to DIN 46228) 2 x 2,5 mm<sup>2</sup>

### Mounting

Front mounting with 4-hole mounting, maximum panel thickness of 4 mm

Faceplate background, brushed aluminum, standard handle

### Mounting 16 mm single-hole mounting

Protection class IP66, maximum panel thickness of 5 mm

B-handle

Name 4-hole mounting	Art. No.	Name 16 mm single-hole mounting	Art. No.	Pole	U <sub>e</sub>	I <sub>e</sub> DC-PV2	Max. U <sub>L</sub> PV	U <sub>i</sub> *
G20S.TD3102.E	70009899	G20S.TD3102.FT16	70046692	1 x 2-pole	500 V DC	20 A	630 V DC	630 V
G20S.TD3104.EF	70009900	G20S.TD3104.FT16	70046693	2 x 2-pole	500 V DC	20 A	630 V DC	630 V
G20S.TD3106.E	70009901	G20S.TD3106.FT16	70046694	3 x 2-pole	500 V DC	20 A	630 V DC	630 V

Data valid only if the pre-assembled bridges have not been modified.

\* Valid for ungrounded or midpoint-grounded PV grids, overvoltage category III, pollution degree III

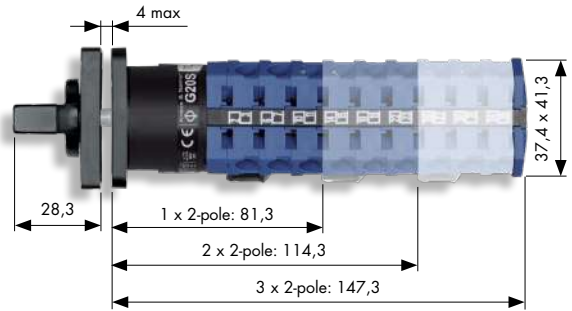
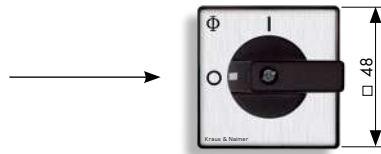
750 V DC : 20 A

1 x 2-pole, 2 x 2-pole, 3 x 2-pole

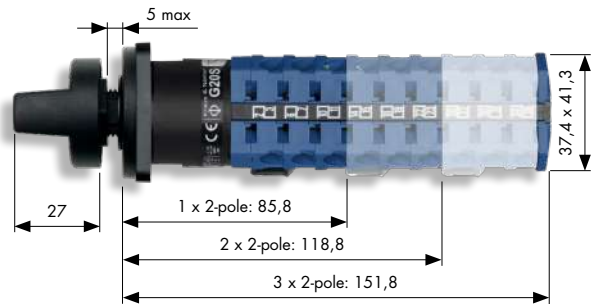
Switching program: 1 x 2-pole, 2 x 2-pole and 3 x 2-pole

DC-side disconnectors for photovoltaic power supply systems in accordance with IEC 60364-712:2002

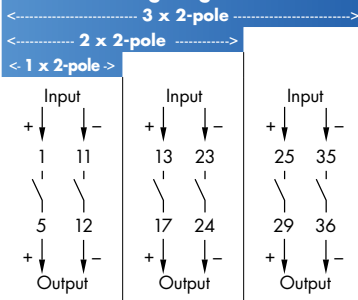
4-hole mounting



16 mm single-hole mounting



Wiring diagram



Hole pattern		Twist torque for clamping screws
4-hole	16 mm	
		G20S 0,6 Nm
		Stripped length
		G20S

General Data

Switch disconnectors in accordance with EN 60947-3, VDE 0660 part 107

Utilization category for photovoltaic applications: DC-PV2 Connecting and disconnecting a PV circuit, where severe overcurrent may occur and where the current can flow in both directions

Ambient temperature (open): 55 °C over 24 hours with peaks of up to 65 °C over 8 hours

Finger-safe terminals in accordance with VDE 0660-514 and BGV A3, protection class IP 20

Maximum conductor cross section (use only copper conductors)

single wire or stranded wire 2 x 2,5 mm<sup>2</sup>  
flexible wire without / with wire-end ferrules (according to DIN 46228) 2 x 2,5 mm<sup>2</sup>

Mounting

Front mounting with 4-hole mounting, maximum panel thickness of 4 mm  
Faceplate background, brushed aluminum, standard handle

Mounting 16 mm single-hole mounting

Protection class IP66, maximum panel thickness of 5 mm  
B-handle

Name 4-hole mounting	Art. No.	Name 16 mm single-hole mounting	Art. No.	Pole	U <sub>e</sub>	I <sub>e</sub> DC-PV2	Max. U <sub>L</sub> PV	U <sub>i</sub> *
G20S.TD3351.E	70009912	G20S.D3351.FT16	70046695	1 x 2-pole	750 V DC	20 A	1000 V DC	1000 V
G20S.TD3352.E	70009913	G20S.TD3352.FT16	70046696	2 x 2-pole	750 V DC	20 A	1000 V DC	1000 V
G20S.TD3353.E	70009501	G20S.TD3353.FT16	70046697	3 x 2-pole	750 V DC	20 A	1000 V DC	1000 V

Data valid only if the pre-assembled bridges have not been modified.

\* Valid for ungrounded or midpoint-grounded PV grids, overvoltage category III, pollution degree III

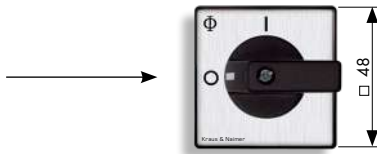
# 1000 V DC : 20 A

# 1 x 2-pole, 2 x 2-pole, 3 x 2-pole

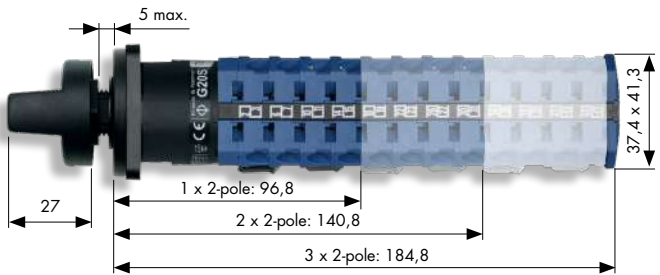
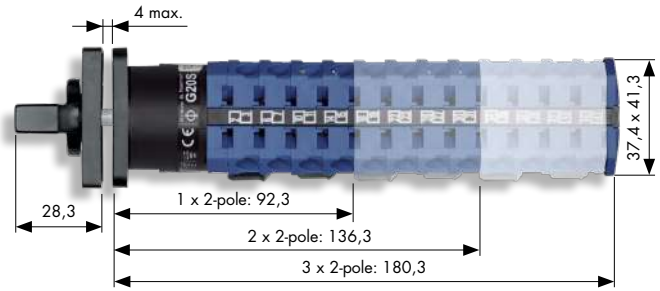
Switching program: 1 x 2-pole, 2 x 2-pole and 3 x 2-pole

DC-side disconnectors for photovoltaic power supply systems in accordance with IEC 60364-712:2002

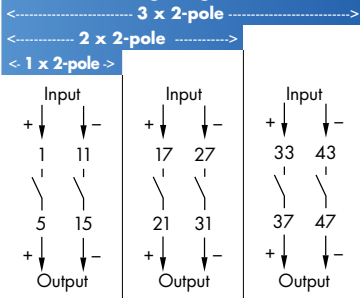
4-hole mounting



16 mm single-hole mounting



### Wiring diagram



Hole pattern		Twist torque for clamping screws
4-hole	16 mm	
		G20S 0,6 Nm
		Stripped length
		G20S

### General Data

Switch disconnectors in accordance with EN 60947-3, VDE 0660 part 107

Utilization category for photovoltaic applications: **DC-PV2** Connecting and disconnecting a PV circuit, where severe overcurrent may occur and where the current can flow in both directions

Ambient temperature (open): 55 °C over 24 hours with peaks of up to 65 °C over 8 hours

Finger-safe terminals in accordance with VDE 0660-514 and BGV A3, protection class IP 20

Maximum conductor cross section (use only copper conductors)

single wire or stranded wire 2 x 2,5 mm<sup>2</sup>  
flexible wire without / with wire-end ferrules (according to DIN 46228) 2 x 2,5 mm<sup>2</sup>

### Mounting

Front mounting with 4-hole mounting, maximum panel thickness of 4 mm  
Faceplate background, brushed aluminum, standard handle

### Mounting 16 mm single-hole mounting

Protection class IP66, maximum panel thickness of 5 mm  
B-handle

Name 4-hole mounting	Art. No.	Name 16 mm single-hole mounting	Art. No.	Pole	U <sub>e</sub>	I <sub>e</sub> DC-PV2	Max. U <sub>L</sub> PV	U <sub>i</sub> *
G20S.TD3202.E	70009394	G20S.TD3202.FT16	70017387	1 x 2-pole	1000 V DC	20 A	1000 V DC	1000 V
G20S.TD3204.E	70009914	G20S.TD3204.FT16	70017388	2 x 2-pole	1000 V DC	20 A	1000 V DC	1000 V
G20S.TD3206.E	70009502	G20S.TD3206.FT16	70017390	3 x 2-pole	1000 V DC	20 A	1000 V DC	1000 V

Data valid only if the pre-assembled bridges have not been modified.

\* Valid for ungrounded or midpoint-grounded PV grids, overvoltage category III, pollution degree III



 Kraus & Naimer

[www.krausnaimer.com](http://www.krausnaimer.com)

© Kraus & Naimer, August 2022